

SPECIFICATIONS:

- FREQUENCY: 2.0 GHz TO 6.0 GHz
- INSERTION LOSS: 2.5 dB MAX, 2.0 dB TYP.
- ISOLATION: 65 dB MIN
- SPEED: DELAY ON: 500ns MAX., 100ns TYP.
DELAY OFF: 500ns MAX., 100ns TYP.
- CONTROL: SEE TABLE 1
- POWER SUPPLY: +5V @ 100 mA MAX.
-12V @ 100 mA MAX.
- TEMPERATURE: -54°C TO +85°C (OPERATING)
- CONNECTORS: SMA FEMALE (REMOVABLE)
- SIZE 1.00 (L) x 1.00 (W) x 0.75 (H)
- WEIGHT 1.5 OZ. MAX.

REVISIONS				
ZONE	REV.	DESCRIPTION	DATE	APPROVED
-	-	ORIGINAL RELEASE	1/15/99	

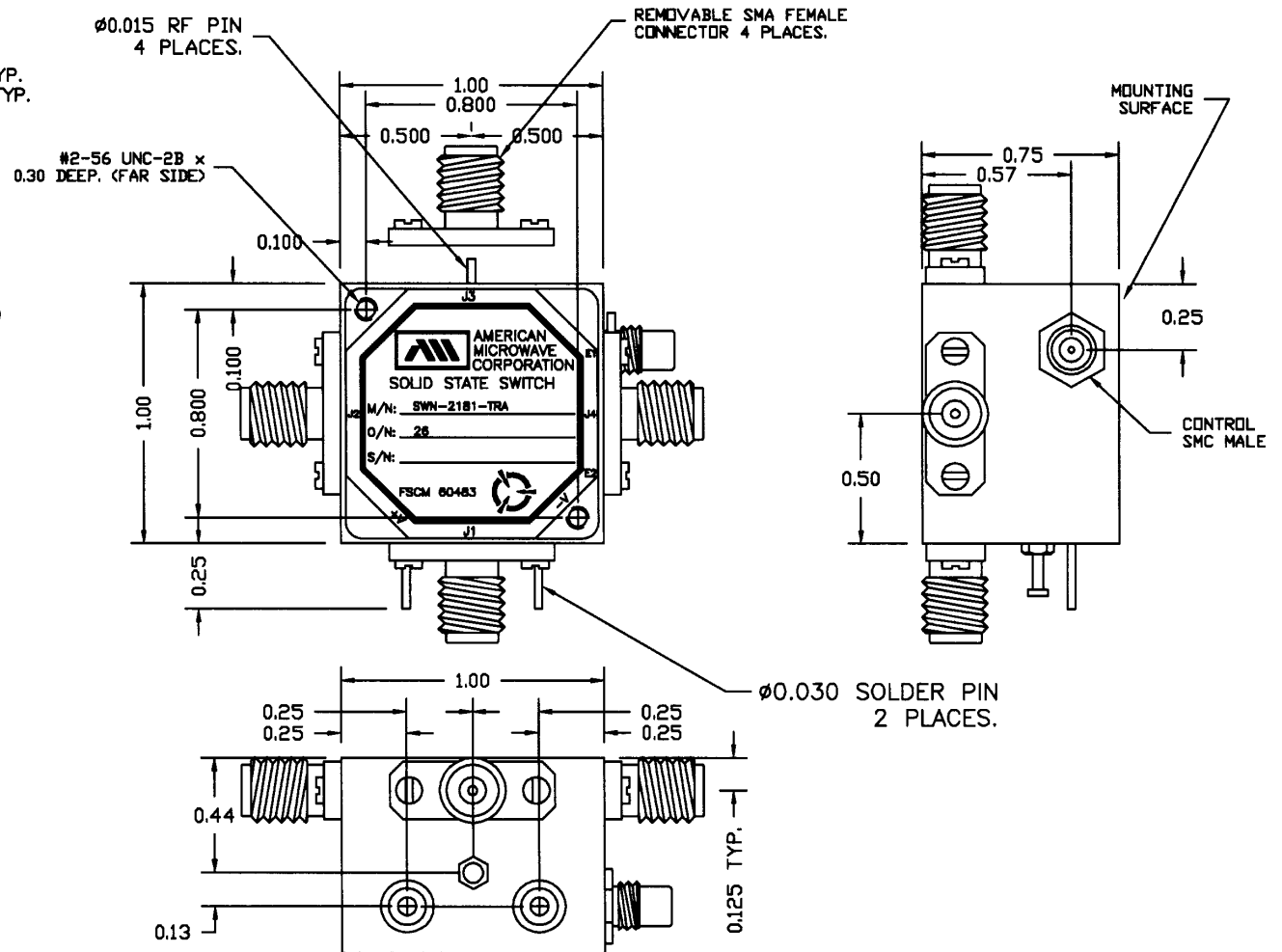


TABLE I

TTL LOGIC	LOW LOSS PATH	ISOLATED PATH
0	J1-J2 J3-J4	J1-J4 J2-J3
1	J1-J4 J2-J3	J1-J2 J3-J4

NOTE:
DR=WITH DRIVER, REFLECTIVE
DT=WITH DRIVER, NON-REFLECTIVE/ABSORPTIVE

ENVIRONMENTAL RATINGS:

- TEMPERATURE: -55°C TO +85°C (OPERATING)
-65°C TO +125°C (STORAGE)
- HUMIDITY: MIL-STD-202F, METHOD 103B COND. B
- SHOCK: MIL-STD-202F, METHOD 213B COND. B
- VIBRATION: MIL-STD-202F, METHOD 204D COND. B
- ALTITUDE: MIL-STD-202F, METHOD 105C COND. B
- TEMPERATURE CYCLE: MIL-STD-202F, METHOD 107D COND. A

NOTE: THE ABOVE SPECIFICATIONS ARE SUBJECT TO CHANGE OR REVISION

ALL DIMENSIONS ARE IN INCHES
TOLERANCES:
X.XX ±0.020
X.XXX ±0.010

CONTRACT NO.		AMERICAN MICROWAVE CORPORATION FREDERICK, MARYLAND		
APPROVALS	DATE	TITLE		
DRAWN K SIMMS	1/15/99	OUTLINE DRAWING SWN-2181-TRA-26 TRANSFER SWITCH		
CHECKED		SIZE	FSCM NO.	REV.
ISSUED		A	60483	-
		SCALE	DWG NO.	SHEET
		N/S	100-4706-2	1 of 1